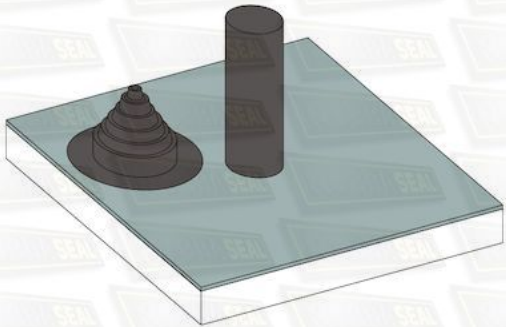
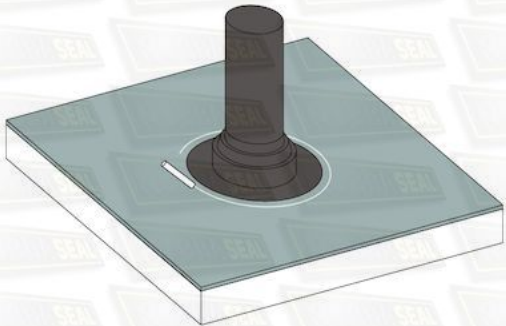
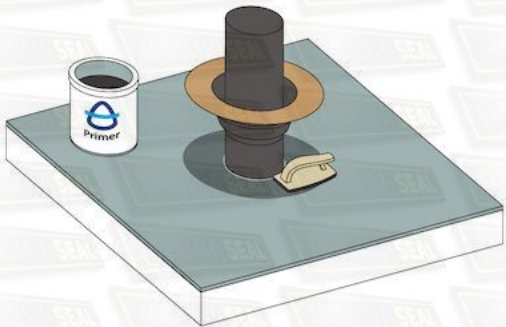
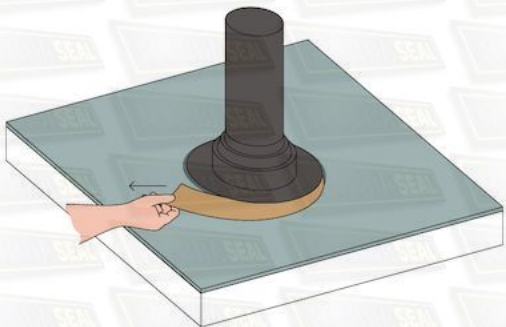
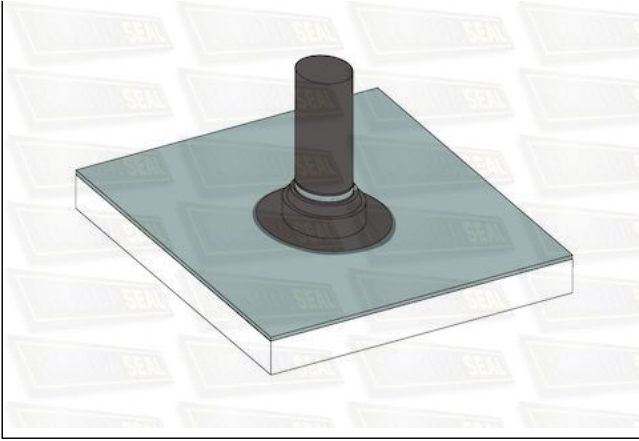


# Pipe Seal

A guide to installing a pipe seal.

	<p><b>Step 1</b> Place pipe seal over the top of the pipe and cut with a knife or scissors to ensure a snug fit.</p>
	<p><b>Step 2</b> Stretch boot over the pipe until the flange touches the deck, mark the perimeter with a crayon or similar, allowing an additional 2cm.</p>
	<p><b>Step 3</b> Fold the pipe boot up or remove and apply primer to the marked area using the quick scrubber pad and handle, allow to dry.</p>
	<p><b>Step 4</b> Reposition pipe seal, locate the joint in the release paper and slowly remove at a shallow angle smoothing as you go with your hand. Once the backing paper has been totally removed roller using silicone roller.</p>

**Step 5**

Apply a small bead of silicone sealant to the top of the pipe seal and secure with jubilee clip.